

Introducing the geyser™

Hot Water Naturally

Introducing the Geyser, the revolutionary heat pump water heater from North Road Technologies. The Geyser is the most efficient way to heat water, and it will save you an average of up to 50-60% over conventional or tankless water heaters.

Just like "Old Faithful" in Yellowstone National Park, the Geyser from North Road Technologies is a natural and renewable hot water source that will prove reliable for years to come.

How does the Geyser work?

Heat is pulled from the air surrounding the Geyser, and utilizing advanced and scientifically engineered heat pump technology, that energy is used to heat the water in your tank. Even the small amount of electricity used to operate the Geyser is converted to heat!

Is the Geyser difficult to install or maintain?

The Geyser easily connects to your current electric, oil, gas, or propane hot water tank. It is incredibly reliable, and it comes with a 5 year limited warranty.

How does the Geyser compare to tankless water heaters?

The Geyser is much, much more efficient. You will save up to 50-60% in energy costs with a Geyser compared to a tankless unit. As an added bonus, the Geyser also dehumidifies the area around the tank, reducing household mold and mildew.

How energy efficient is the Geyser

The Geyser is up to 370% efficient. This means it creates 3.7 units of renewable heat from the air for every 1 unit of electricity required to run the unit. The Geyser provides the most environmentally-responsible way to heat your water. It even qualifies for the Federal Tax Credit: You will receive 30% of its cost back as a tax credit.



For more information please visit:
www.northrdt.com
email: info@northroad.com

National Average Annual Savings when using the Geyser

The average annual savings vs. electric water tanks in the Northeast are \$501 due to higher electricity rates in the region!

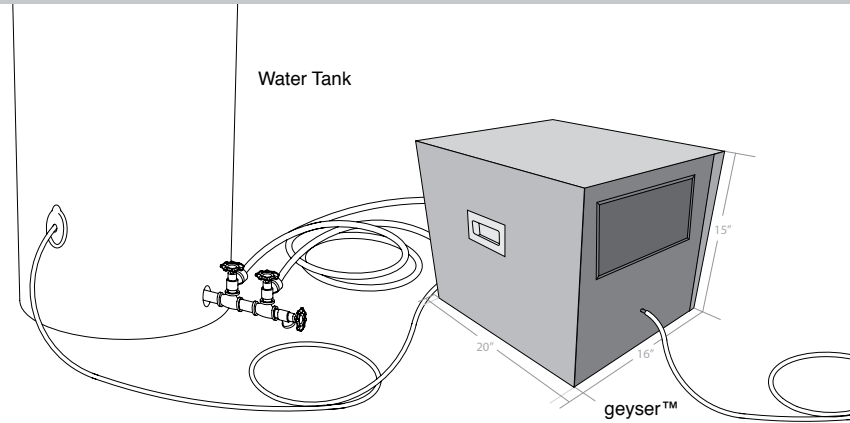
VS

Electric Water Tank	\$348/yr
Propane Water Heater	\$455/yr
Oil Water Heater	\$185/yr
Tankless (Electric)	\$301/yr
Natural Gas Water Heater	\$119/yr

Features:

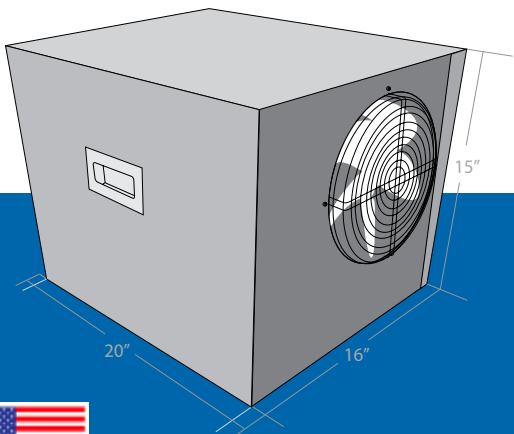
- > Highly efficient (up to 370%!), safe and reliable
- > 50-60% energy savings over conventional heating sources.
- > Fail safe design ensures hot water at all times
- > Suitable for any size residential water tank
- > Engineered for flexible and easy installation
- > Virtually maintenance free
- > Dehumidifies and cools surrounding air
- > 5-year limited warranty
- > Easy and safe installation, saving time
- > Fast recovery and first hour hot water availability
- > Vented heat exchanger to meet local and national codes*

* Vented heat exchangers are required by UL and national/local codes to prevent the leakage of refrigerant into potable water supplies.
Note: Your Geyser is most efficient when operated in an average ambient temperature between 45°F–100°F.



Unit Specifications:

- > 6,000 BTU/hr
- > Default tank setting is 120°F (49° C) in accordance with Department of Energy Guidelines
- > Adjustable from 90-140° F (32-60° C)
- > 12.5 gal/hr (47.3 Liters) recovery @ 120°F (49° C) tank temperature and at (60°F (15.5° C) water supply)
 - > 62.5 gallon (236.6 Liter) first hour rating*
 - > Heats water up to 140°F (60° C)
- > 115 Volt/60hz
- > 5-10 Amp draw (suitable for any 110 volt household outlet)
- > Dimensions: 16" (40.6 cm) width x 15" (38.1 cm) height x 20" (50.8 cm) depth
- > Durable powder coated steel cabinet for years of trouble free service
- > QPS/SGS Listed (UL-1995 / CSA C22.2 No. 236)



North RoadSM
technologies

North Road Technologies LLC
(888) 316-2057
www.northrdt.com
info@northrdt.com

